

PROTECH®

Multi-core Studio System Package

Vamos Corporation

Tokyo Royal Plaza 10F, No.1015

1-18-11, Uchikanda, Chiyoda-ku

Tokyo 101-0047 Japan

Tel: +81-3-3293-5770

Fax: +81-3-3293-5771

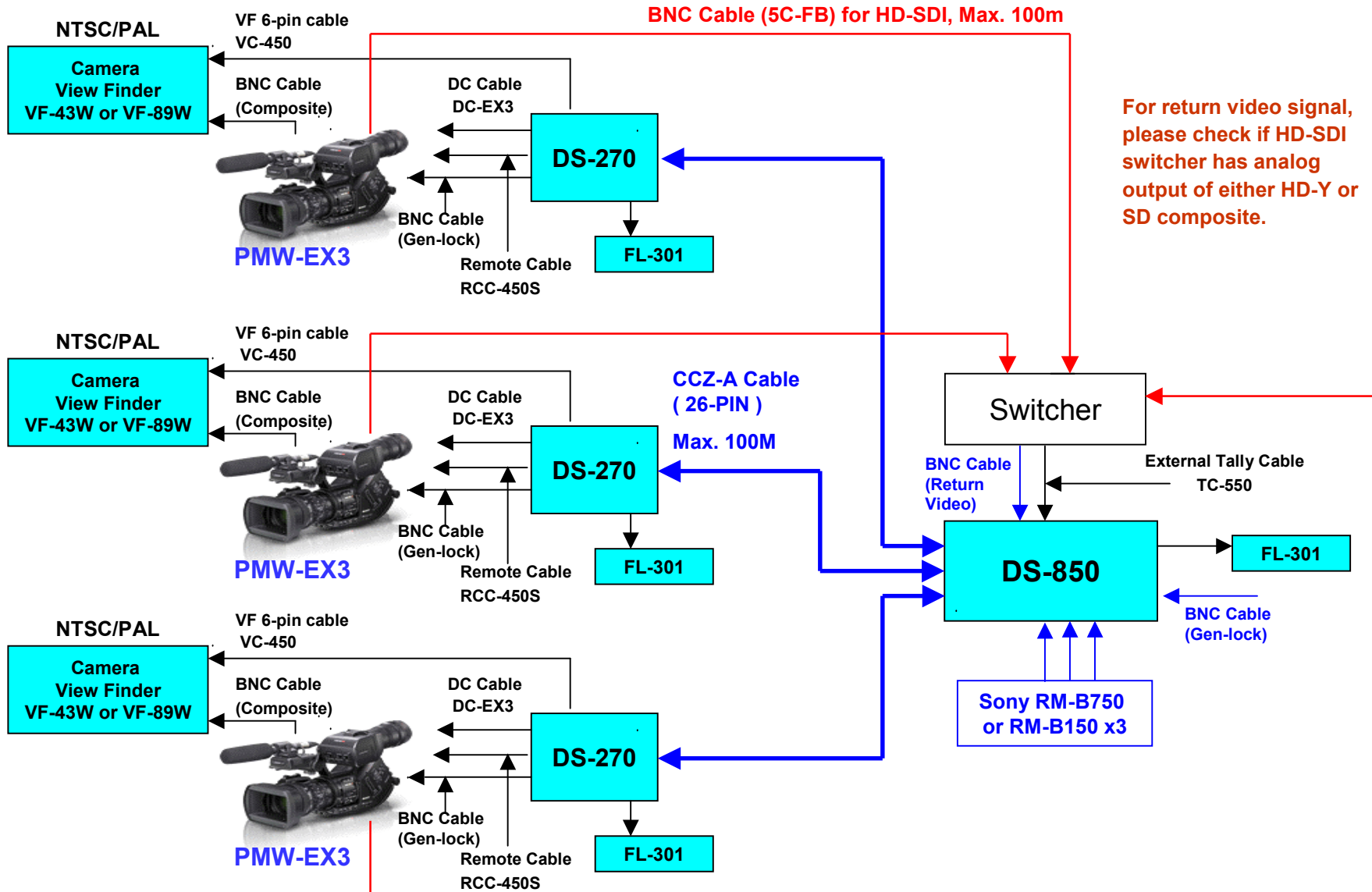
E-mail: sales@vamos.jp

January 17, 2012

1. DS-270 3 sets System Package

1-1. DS-270-3VP + Option 1 + VF

Package for 3 sets of PMW-EX3, HD-SDI



1-1. DS-270-3VP + Option 1 + VF

Package for 3 sets of PMW-EX3, HD-SDI

Composition:

XDCAM EX Camcorder	PMW-EX3	3	SONY
Remote Control Unit	RM-B150 or RM-B750	3	SONY
Tripod Base Plate	VCT-14 (or PROTECH VST-14)	3	SONY
26-pin Cable	CCZ-A	3	
BNC Cable	5C-FB	3	
BNC Cables	for sync. signal and return video	2	
Zoom Control		3	Option

DS-270-3VP

Camera Adaptor	DS-270	3	
Center Station	DS-850	1	
VF 6-pin cable	VC-450	3	
External Tally Cable	TC-550	1	
Intercom Headset	FL-301	4	
BNC Cable 1m	BNC-1M	3	

Option 1

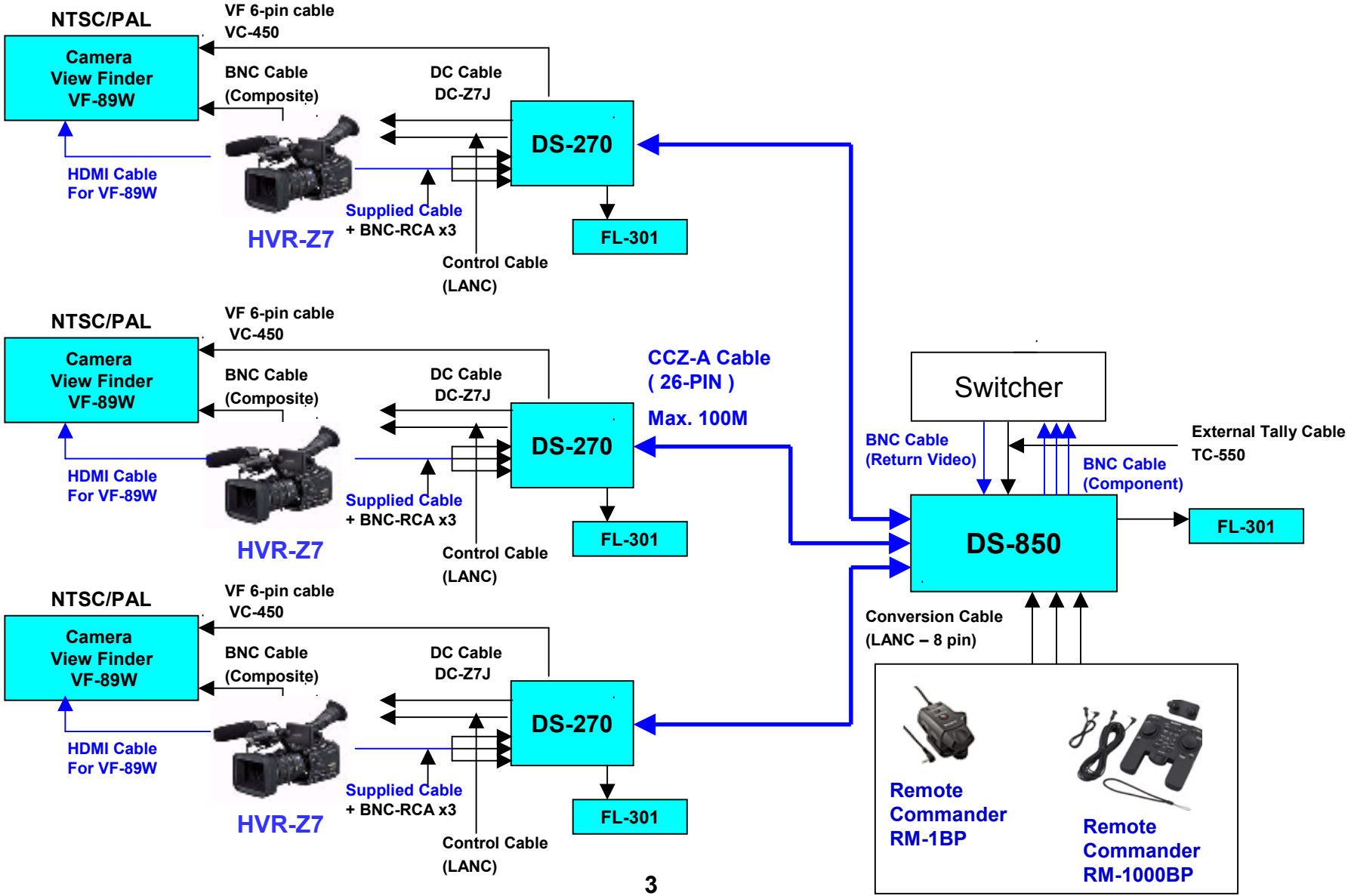
DC Cable	DC-EX3	3	
Remote Cable	RCC-450S	3	
BNC Cable 0.4m	BNC-0.4M	3	

VF

Camera View Finder	VF-43W or VF-89W	3	
--------------------	------------------	---	--

1-2. DS-270-3VP + Option 2 + VF

Package for 3 sets of HVR-Z7, Component



1-2. DS-270-3VP + Option 2 + VF

Package for 3 sets of HVR-Z7, Component

Composition:

HDV Camcorder	HVR-Z7	3	SONY
Remote Commander	RM-1BP or RM-1000BP	3	SONY
Tripod Base Plate	VCT-14 (or PROTECH VST-14)	3	SONY
26-pin Cable	CCZ-A	3	
BNC Cables	for return video	1	
Zoom Control		3	Option

DS-270-3VP

Camera Adaptor	DS-270	3	
Center Station	DS-850	1	
VF 6-pin cable	VC-450	3	
External Tally Cable	TC-550	1	
Intercom Headset	FL-301	4	
BNC Cable 1m	BNC-1M	3	

Option 2

DC Cable	DC-Z7J	3	
Control Cable (LANC)		3	
Conversion Cable (1 pair)		3	
BNC-RCA Plug		9	

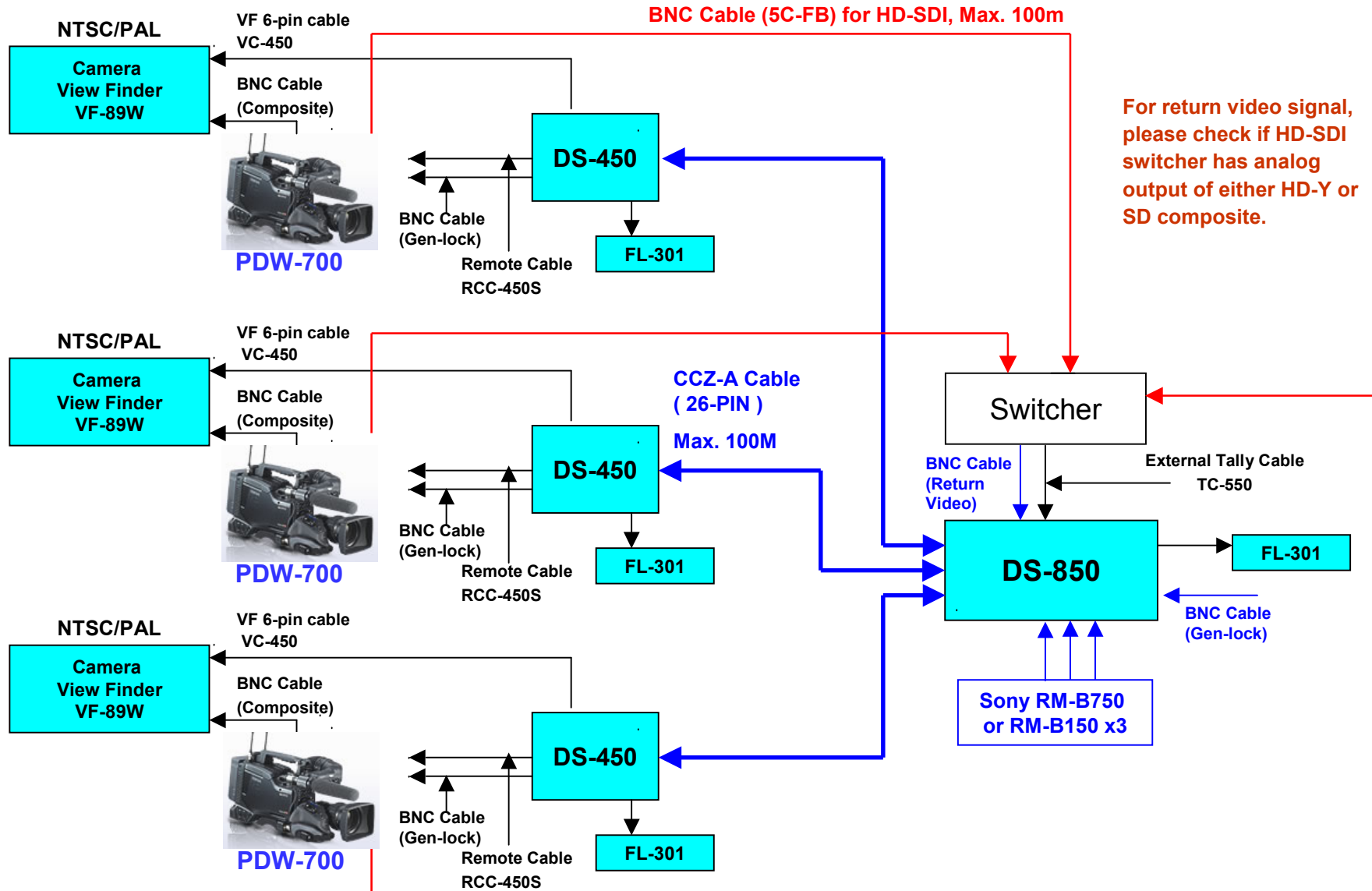
VF

Camera View Finder	VF-43W or VF-89W	3	
--------------------	------------------	---	--

2. DS-450 3 sets System Package

2-1. DS-450-3VP + Option 3 + VF

Package for 3 sets of PDW-700, HD-SDI



2-1. DS-450-3VP + Option 3 + VF

Package for 3 sets of PDW-700, HD-SDI

Composition:

XDCAM HD422 Camcorder	PDW-700	3	SONY
Remote Control Unit	RM-B150 or RM-B750	3	SONY
Tripod Base Plate	VCT-14 (or PROTECH VST-14)	3	SONY
26-pin Cable	CCZ-A	3	
BNC Cable	5C-FB	3	
BNC Cables	for sync. signal and return video	2	
Zoom Control		3	Option

DS-450-3VP

Camera Adaptor	DS-450	3	
Center Station	DS-850	1	
VF 6-pin cable	VC-450	3	
External Tally Cable	TC-550	1	
Intercom Headset	FL-301	4	
BNC Cable 1m	BNC-1M	3	

Option 3

Remote Cable	RCC-450S	3	
BNC Cable 0.4m	BNC-0.4M	3	

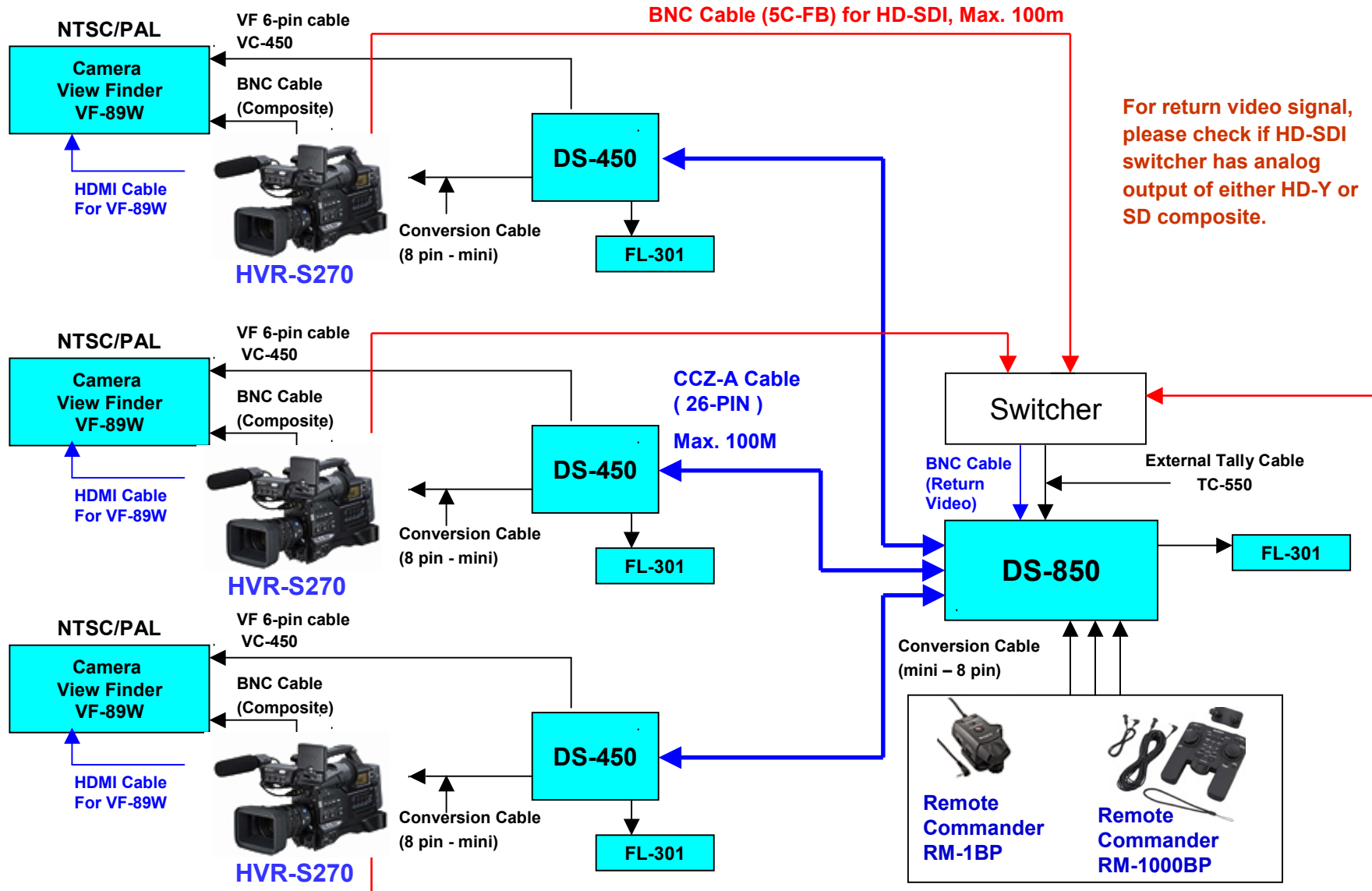
VF

Camera View Finder	VF-43W or VF-89W	3	
--------------------	------------------	---	--

2. DS-450 3 sets System Package

2-2. DS-450-3VP + Option 4A + VF

Package for 3 sets of HVR-S270, HD-SDI



2-2. DS-450-3VP + Option 4A + VF **Package for 3 sets of HVR-S270, HD-SDI**

Composition:

HDCAM Camcorder	HVR-S270	3	SONY
Remote Commander	RM-1BP or RM-1000BP	3	SONY
Tripod Base Plate	VCT-14 (or PROTECH VST-14)	3	SONY
26-pin Cable	CCZ-A	3	
BNC Cable	5C-FB	3	
BNC Cables	for return video	1	
Zoom Control		3	Option
HDMI Cable		3	Option

DS-450-3VP

Camera Adaptor	DS-450	3	
Center Station	DS-850	1	
VF 6-pin cable	VC-450	3	
External Tally Cable	TC-550	1	
Intercom Headset	FL-301	4	
BNC Cable 1m	BNC-1M	3	

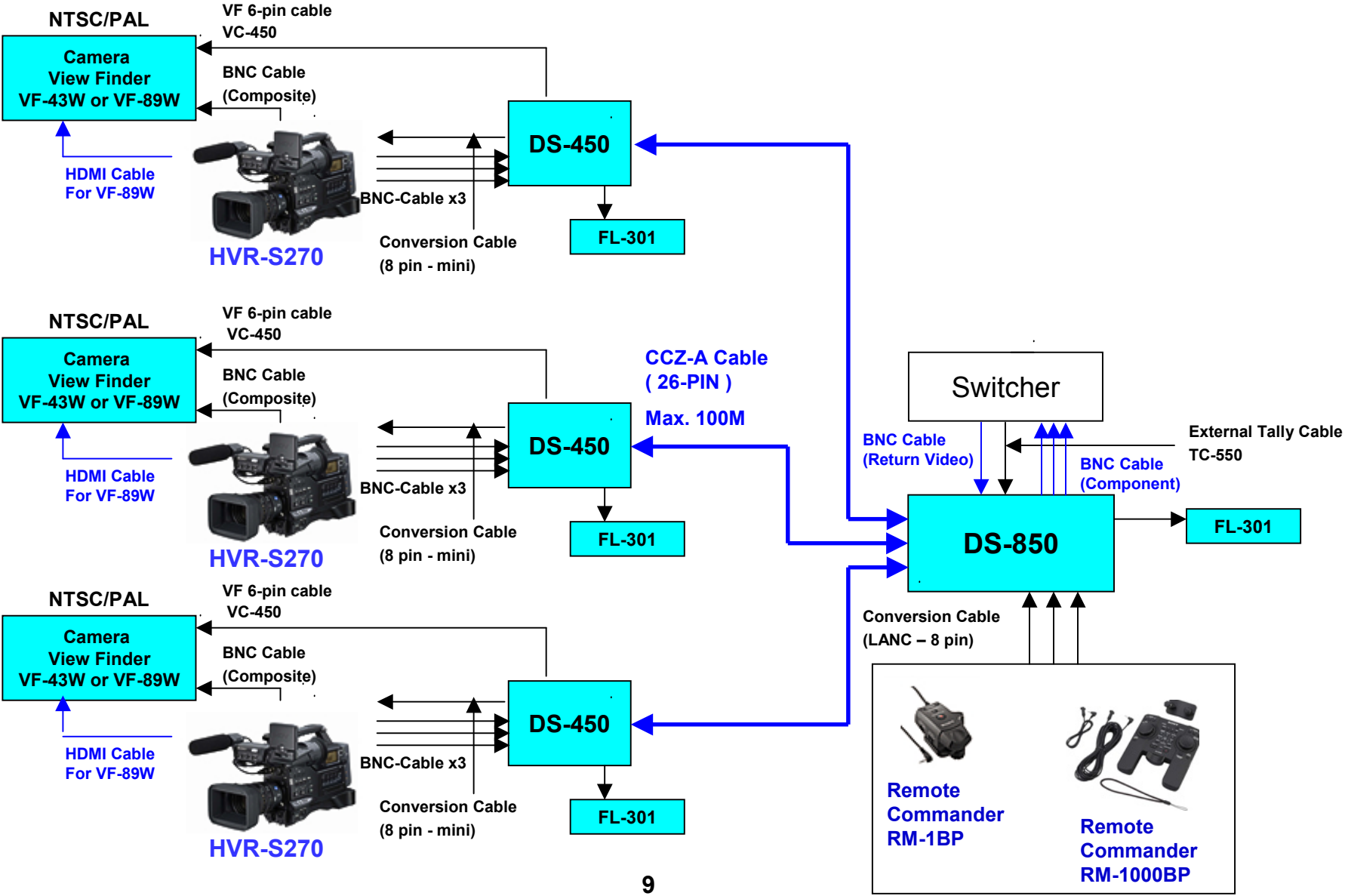
Option 4A

Conversion Cable (1 pair)		3	
---------------------------	--	---	--

VF

Camera View Finder	VF-43W or VF-89W	3	
--------------------	------------------	---	--

2-3. DS-450-3VP + Option 4B + VF Package for 3 sets of HVR-S270, Component



2-3. DS-450-3VP + Option 4B + VF **Package for 3 sets of HVR-S270, Component**

Composition:

HDV Camcorder	HVR-Z7	3	SONY
Remote Commander	RM-1BP or RM-1000BP	3	SONY
Tripod Base Plate	VCT-14 (or PROTECH VST-14)	3	SONY
26-pin Cable	CCZ-A	3	
BNC Cables	for return video	1	
Zoom Control		3	Option
HDMI Cable		3	Option

DS-450-3VP

Camera Adaptor	DS-450	3	
Center Station	DS-850	1	
VF 6-pin cable	VC-450	3	
External Tally Cable	TC-550	1	
Intercom Headset	FL-301	4	
BNC Cable 1m	BNC-1M	3	

Option 4B

Conversion Cable (1 pair)		3	
BNC Cable 0.4m	BNC-0.4M	9	

VF

Camera View Finder	VF-43W or VF-89W	3	
--------------------	------------------	---	--