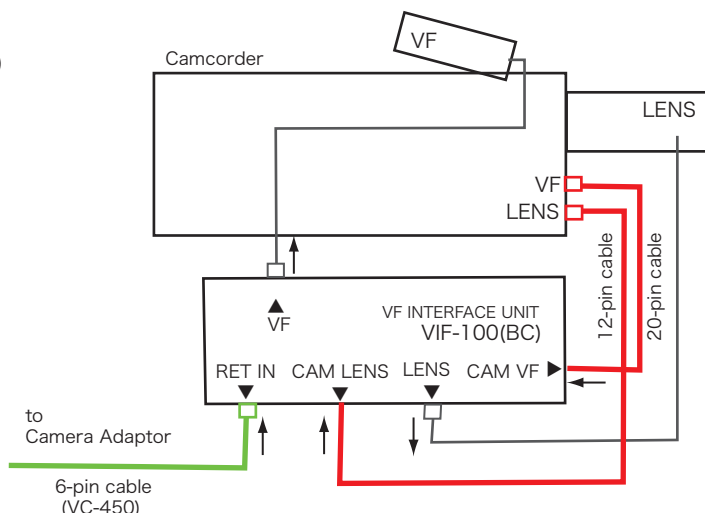
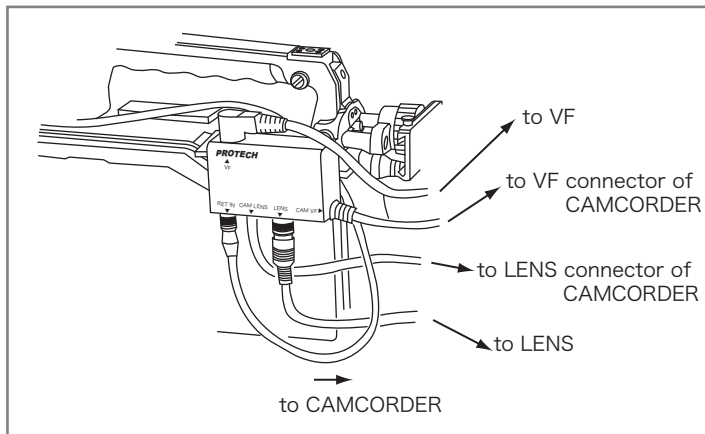


Thank you to use VIF-100BC.

Before operating your VIF-100BC, please read this manual thoroughly and remain it for future reference.

■ Installation

1. Loosen the two screws of a camcorder and fix the VIF-100BC to the camcorder.
- 2-1. Disconnect the 20-pin cable of the VF from the camcorder and connect it to the VF connector of the VIF-100BC, and connect the 20-pin CAM VF cable of the VIF-100BC to the VF connector of the camcorder.
- 2-2. Disconnect the 12-pin cable of the lens from the camcorder and connect it to the lens connector of the VIF-100BC, and connect the 12-pin CAM LENS cable of the VIF-100BC to the LENS connector of the camcorder.
3. Connect the RET IN connector of the VIF-100BC to a camera adaptor with the supplied 6-pin cable(VC-450).



■ Specifications

Input	
Camera Adaptor connection	RET IN : 6-pin connector(dedicated)
Camera Lens connection	CAM LENS : 12-pin connector cable
Camera VF output connection	CAM VF : 20-pin connector cable (for SONY broadcast camcorder)
Output	
VF connection	VF : 20-pin connector
Lens connection	LENS : 12-pin connector
General	
VIDEO signal	HD-Y VIDEO signal
Power requirement	DC 12 V
Operating Temperature	-32 °F to 104 °F (0 °C to 40 °C)
Storage Temperature	-4 °F to 140 °F (-20 °C to 60 °C)
Dimensions (W x H x L)	3.35×1.97×1.30 inches (85×50×33mm)
Weight	approx. 5.29 ozs. (approx. 150g)

NOTE

Features, design, and specifications are subject to change without notice.