

PROTECH®

FS-405SW Wireless Box

Operating Instructions

Before operating the unit, please read this manual thoroughly and retain it for future reference.



Attention on safety

Please guard.

The case where it is used by professional Tec commodity common optional AC is contained.

It explains the guard without fail to prevent the damage to harm and the property to the person and other people who use it beforehand as follows.

- It divides in the following table, and it explains the level of harm and the damage caused when a usage wrong as the content of the display is disregarded is done.



	Warning	The column of this display is "The possibility of owing the death or the serious injury, etc. is assumed" content.
	Attention	The column of this display is "The possibility that only the possibility or the physical loss or damage in which the trouble is owed occurs is assumed" content.

- It divides by the following picture display, and it explains the kind of the guarded content. (The following are one picture display example.)

	Such a picture display is an attentive "Attention rousing" content that wants to hold.
	Such a picture display is "Prohibition" content that cannot be done.
	Such a picture display is "Compulsion" content executed without fail.






About the installation

 Warning

	It doesn't put it on an unstable place.		A heavy thing is not put on the power supply code.		It doesn't set it up in the water place.
Prohibition		Prohibition		Water place use prohibition	

About the processing in abnormal circumstances

 Warning

	When this machine is dropped or is damaged, the power on/off switch is cut.		When water etc. enter in this machine, the power on/off switch is cut.		When the foreign body enters in this machine, the power on/off switch is cut.
The power supply is pulled out.	The power supply is pulled out.	The power supply is pulled out.	The power supply is pulled out.	The power supply is pulled out.	
	Smoke has risen, and when it is abnormal of hearing a strange smell and the sound etc. the power on/off switch is cut.		When the power supply code hurts, it exchanges it.		
The power supply is pulled out.	Compulsion				

Attention on safety

Please guard.

About use



Warning

 <p>Neither a container where water entered on this machine nor a small metallic thing are put.</p> <p>Prohibition</p>	 <p>The foreign body is not inserted, and not dropped from the opening of the equipment.</p> <p>Prohibition</p>	 <p>This machine is not remodeled.</p> <p>Resolution prohibition</p>
 <p>It doesn't use it in the water place.</p> <p>Water place use prohibition</p>	 <p>Neither the back cap, the cabinet nor the cover, etc. of this machine are removed.</p> <p>Resolution prohibition</p>	 <p>It is done to wet the equipment and watertight.</p> <p>Prohibition</p>

About use



Attention

About maintenance

 <p>A heavy thing is not put on this machine.</p> <p>Prohibition</p>	 <p>It doesn't take this machine.</p> <p>Prohibition</p>	 <p>When maintaining it, the switch is turned off for safety.</p> <p>The power supply is pulled out.</p>
 <p>When not using it, the power supply is pulled out for safety.</p> <p>The power supply is pulled out.</p>	 <p>The power supply is pulled out, and an external code is removed when moving.</p> <p>The power supply is pulled out.</p>	 <p>The consultation of an internal cleaning is : to the shop about once a year.</p> <p>Compulsion</p>

About after-sales service

Our product is a free repair guarantee of one year.
(I hope the carriage etc. in the customer's share.)

It does to a repair for a fee for the commodity that passes a free guaranteed term.

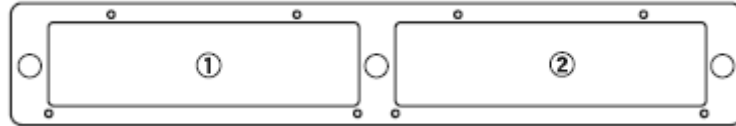
Please request the repair to the shop or our support center of purchase.

Table of contents

WARNING	2-3
Names and Functions of Parts	5-6
Front panel	5
Rear panel	6
Main Operation Instructions	7-9
Installation of wireless receiver	7-8
AC power	9
Dimensions	10
Main Specifications	11

Names and Functions of Parts

Front panel



(1) Wireless installation hole WR1

Sony wireless receiver WRR-855 installation hole

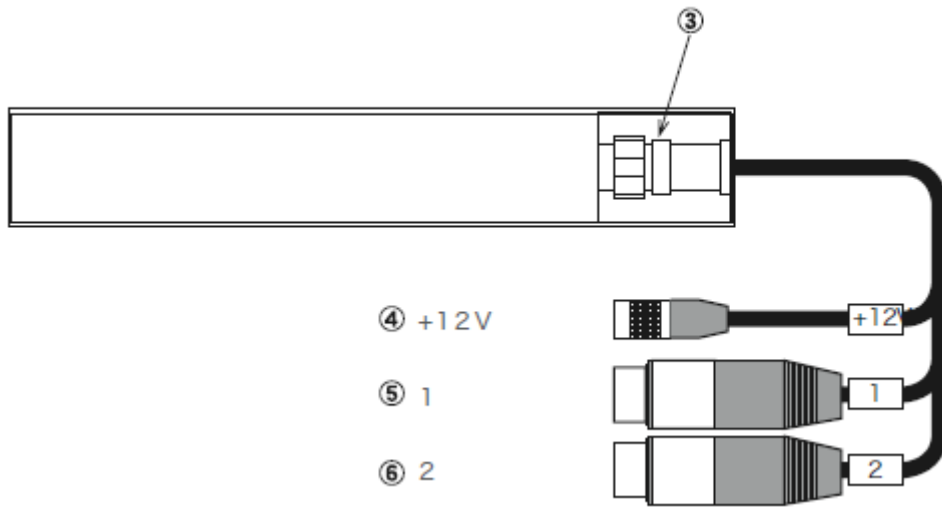
CH1 side

(2) Wireless installation hole WR2

Sony wireless receiver WRR-855 installation hole

CH2 side

Rear panel



(3) Input / output cable

Cable to input power and output audio signal

(4) +12V connector

Connector to supply power, connected with DC12OUT of FS-405.

(5) CH1 connector

Connector for audio signal to input CH1 of FS-405

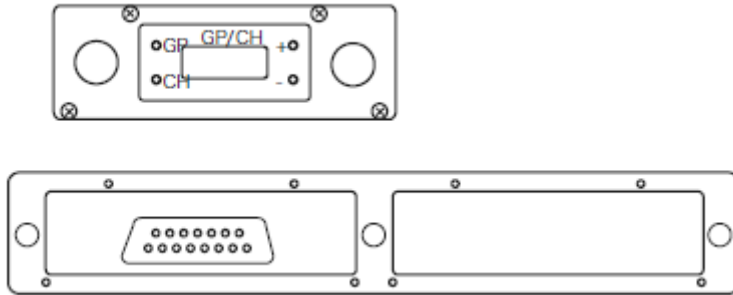
(6) CH2 connector

Connector for audio signal to input CH2 of FS-405

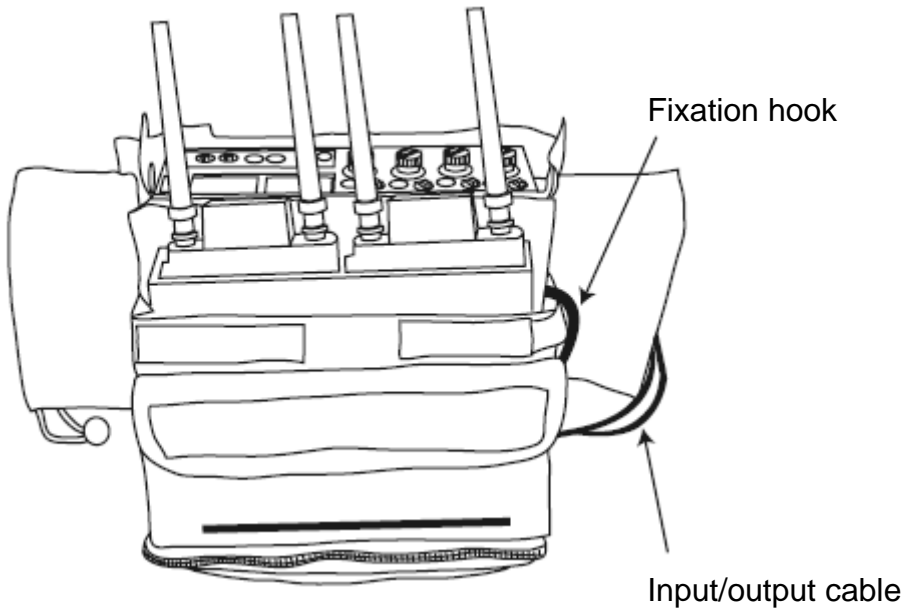
Main operation instructions

■ Installation of wireless receiver

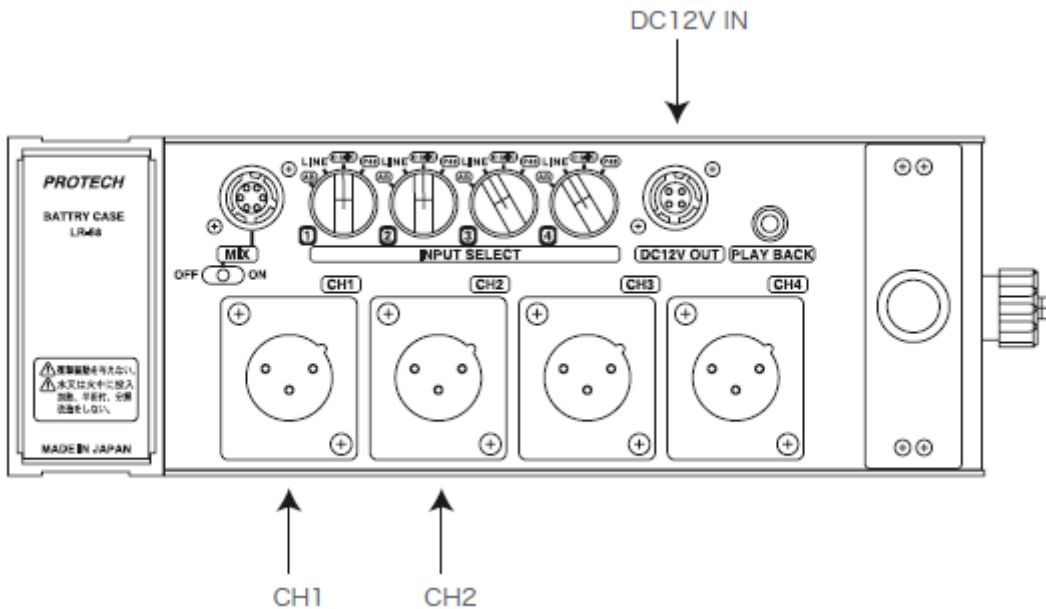
1. Install WRR-855 to the wireless box careful of the direction.
Take care of the position of 4 screws of WRR-855.



2. Next, put the wireless box into the big pocket of the carrying case of FS-405, open the side zipper of the pocket and put in the input/output cable. Pass the band of the carrying case through the fixation hook on either side and fix it on the pocket upper part with the magic-tape.



3. Connect the cable to the input panel.
4. Connect DC12V of the input/output cable to DC12V of the input panel.
5. Connect CH1 and CH2 of the input/output cable to CH1 and CH2 of the input panel.

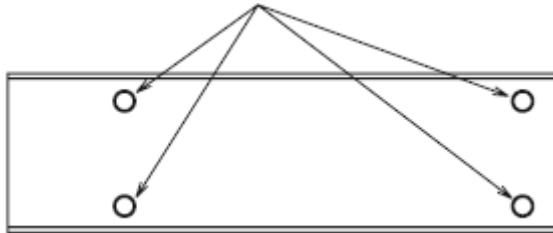


6. Change the input level of CH1 and CH2 to D-MIC.
7. Turn on the power of WR1 and WR2, and set the wireless and adjust the level of FS-405.

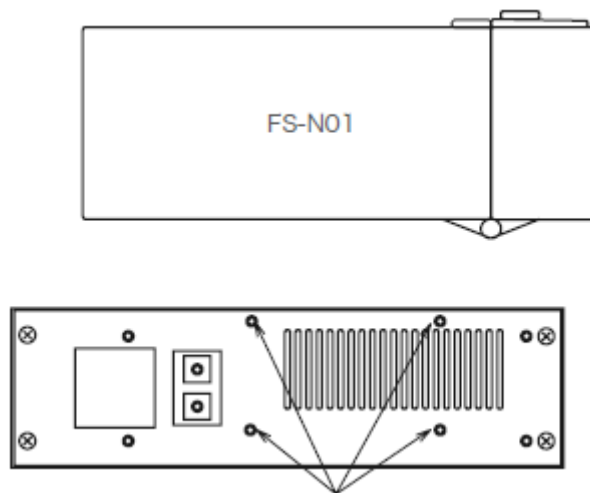
■ Power supply

1. FS-405SW uses eight double A batteries (UM3) as standard.
When a wireless receiver is used, operation time becomes short.
In this case, we recommend you to replace the battery holder and use FS-N01 for NP-1 or Sony BKW-L601 for BP-L40A (Lithium-ion battery), etc.

Battery holder installation screws



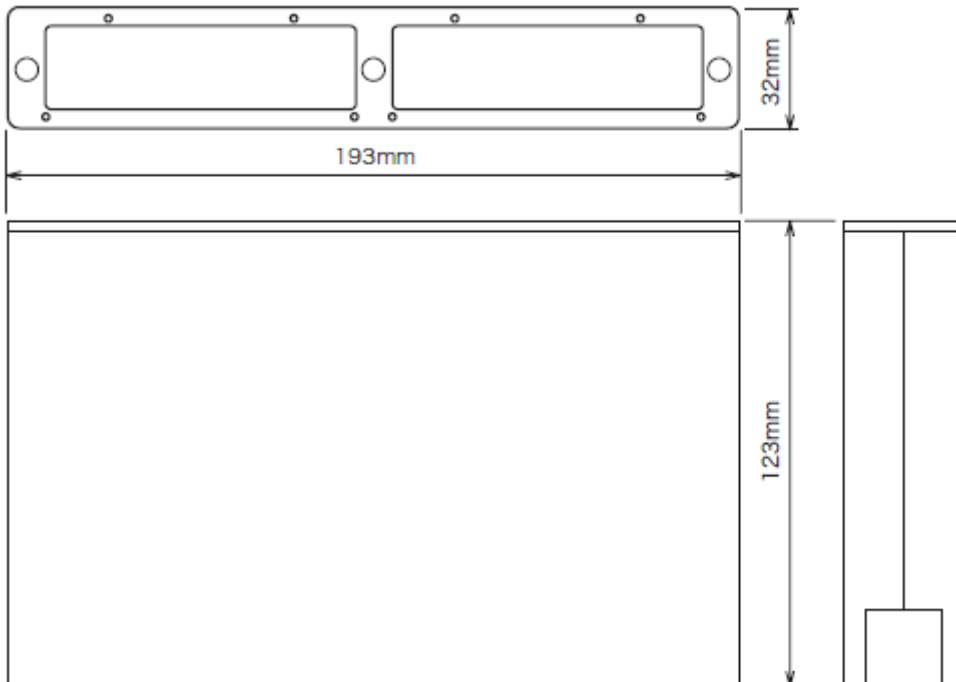
2. Remove 4 screws of FS-405 and connectors inside, and take out a battery holder from FS-405.



M3 screw holes – 4 places
FS-405 rear panel

3. Sony battery holder can be installed to the rear panel, and it is installed with 4 screws and 2 screws of the base.

Dimension



Main Specifications

FS-405SW Main Specifications

Input / Output	Audio output	XLR 3pin x2 (female)
	Power input	Mini 4pin x1 (male)
	Receiver	D-sub 15pin (male for WRR-855)
General	Temperature Operation	From 0 degree C to 40 degree C
	Storage	From -20 degree C to 50 degree C
	Weight	approx. 500g
	Dimension	193x32x123mm (WxHxD)