

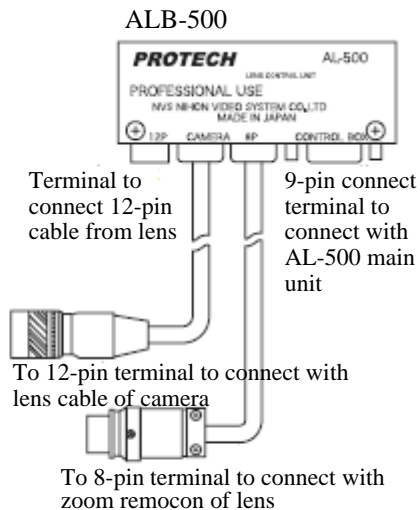
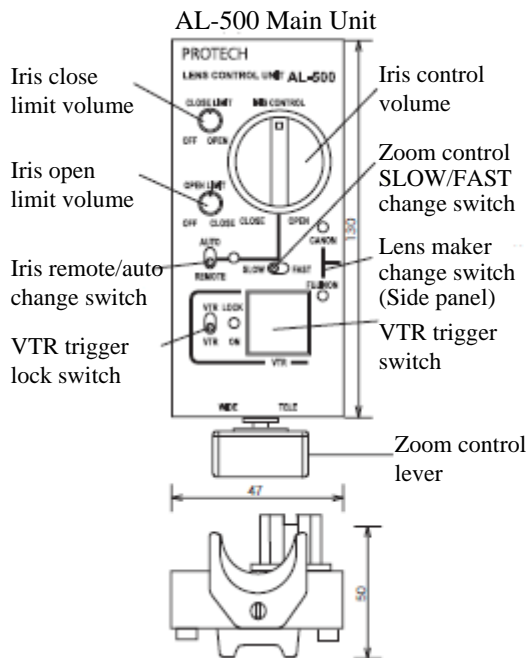
Thank you to use AL-500SET.

Please read this manual thoroughly before operating the unit.

■ Features

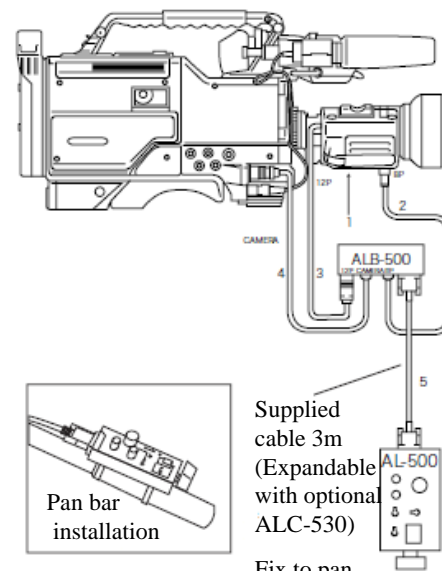
- * Iris control is possible. Open / close limit function is equipped.
- * Corresponding to 8PIN control input lens for professional use such as Canon, Fujinon, ENG lens.
- * Changeable to Fujinon or Canon by the switch on the side.
- * Change of zoom speed of TELE/WIDE is possible by the change of SLOW/FAST.
- * Adapting high durable, high reliable switch.
- * Adapting a fixing band which is possible to attach and remove.

■ Name of each part



■ Operation

1. Fix ALB-500 to the lens belt of the camera with a clip.
2. Connect zoom control cable of ALB-500 to 8P connector of the lens.
3. Connect 12P cable of lens to ALB-500.
4. Connect lens cable of ALB-500 to 12P connector for lens of camera.
5. Connect AL-500 and ALB-500 with supplied 9P cable.
6. Set lens maker of AL-500 and turn on the power of the camera, and operate iris and zoom lever. At this time, set the iris of the lens to auto and the zoom of the lens to servo.



■ Specifications

Applicable maker
 OPEN LIMIT
 CLOSE LIMIT
 VTR switch
 SLOW FAST
 WIDE TELE
 CF switch
 Dimension
 Weight

Canon/Fujinon
 Open side F valume limit
 Maximum F value limit
 REC start/stop
 SLOW: zoom sopped slow
 FAST: zoom speed fast
 WIDE: wide angle
 TELE: telescopic
 Canon/Fujinon change
 47x130x50mm (WxHxD)
 Approx. 210g

■ Contents

AL-500 Main Unit
 ALB-500
 Supplied cable 3m
 Fixing band

■ Option

ALC-530:
 Control cable 30m with connecting adaptor
 (Connecting cable for AL-500 and ALB-500)
 ALS-300:
 Cable for zoom remoon, 1m
 (Direct connecting cable for AL-500 and lens)
 (Iris can not be controlled.)