



# **PROTECH Products**

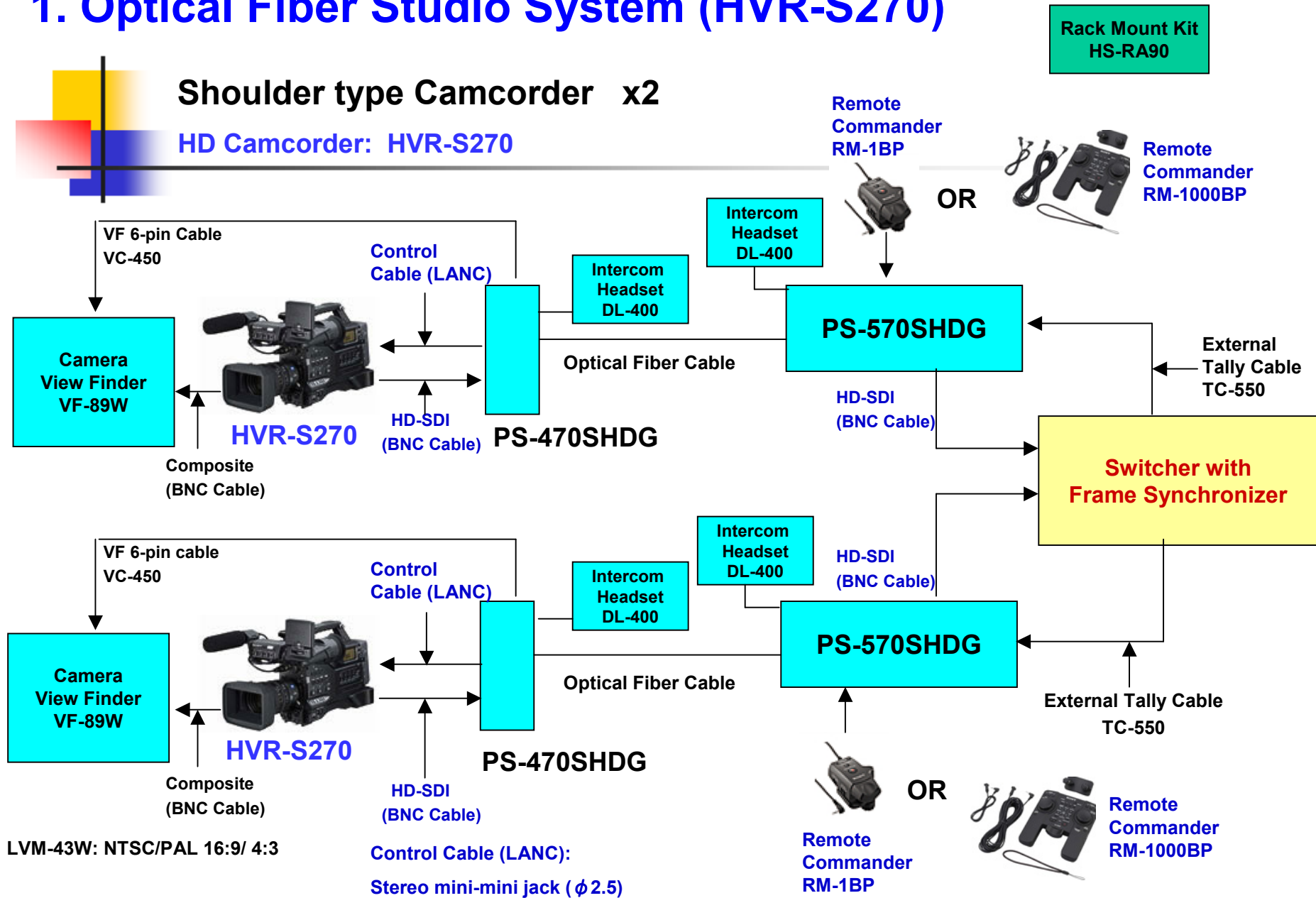
---

## ***HVR-S270 System !!***

**September 28, 2010**

**Vamos Corporation**

# 1. Optical Fiber Studio System (HVR-S270)





## HVR-S270 x2 System composition

---

### Composition:

---

Camcorder	HVR-S270	2	SONY
Optical Fiber Camera Adaptor	PS-470SHDG	2	
Control Cable (LANC)		2	mini-mini
BNC Cable		6	
Camera View Finder	VF-89W	2	
VF 6-pin Cable	VC-450	2	
Optical Fiber Base Station	PS-570SHDG	2	
Remote Commander	RM-1BP or RM-1000BP	2	SONY
Optical Fiber Cable	ALC-20M/50M/100M	2	
External Tally Cable	TC-550	2	
Rack Mount Kit	HS-RA90	1	
Intercom Headset	DL-400	4	
Tripod Base Plate	VST-14	2	
	or Sony VCT-14		

# Option



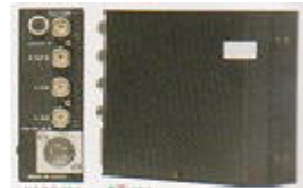
## VF Interface Unit VIF-100

View Finder interface unit for Sony camcorder for business and industrial use



## VF 6-pin Cable VC-450

Connecting cable between PS-470HD and mini monitor or VIF-100



## VF-43W (NTSC/PAL)

4.3inch Camera View Finder 16:9 wide type

Universal head is supplied as standard accessory.



## VF-89W (NTSC/PAL)

8.9inch Camera View Finder 16:9 / 4:3 selectable  
RED/GREEN Tally x2  
Color, B/W selection  
Blue only switch  
Frame Guide Indication



## Rack Mount Kit HS-RA90

for PS-570HD series



## External Tally Cable

### TC-550

Cable set to send Tally signal from switcher to PS-570HD series

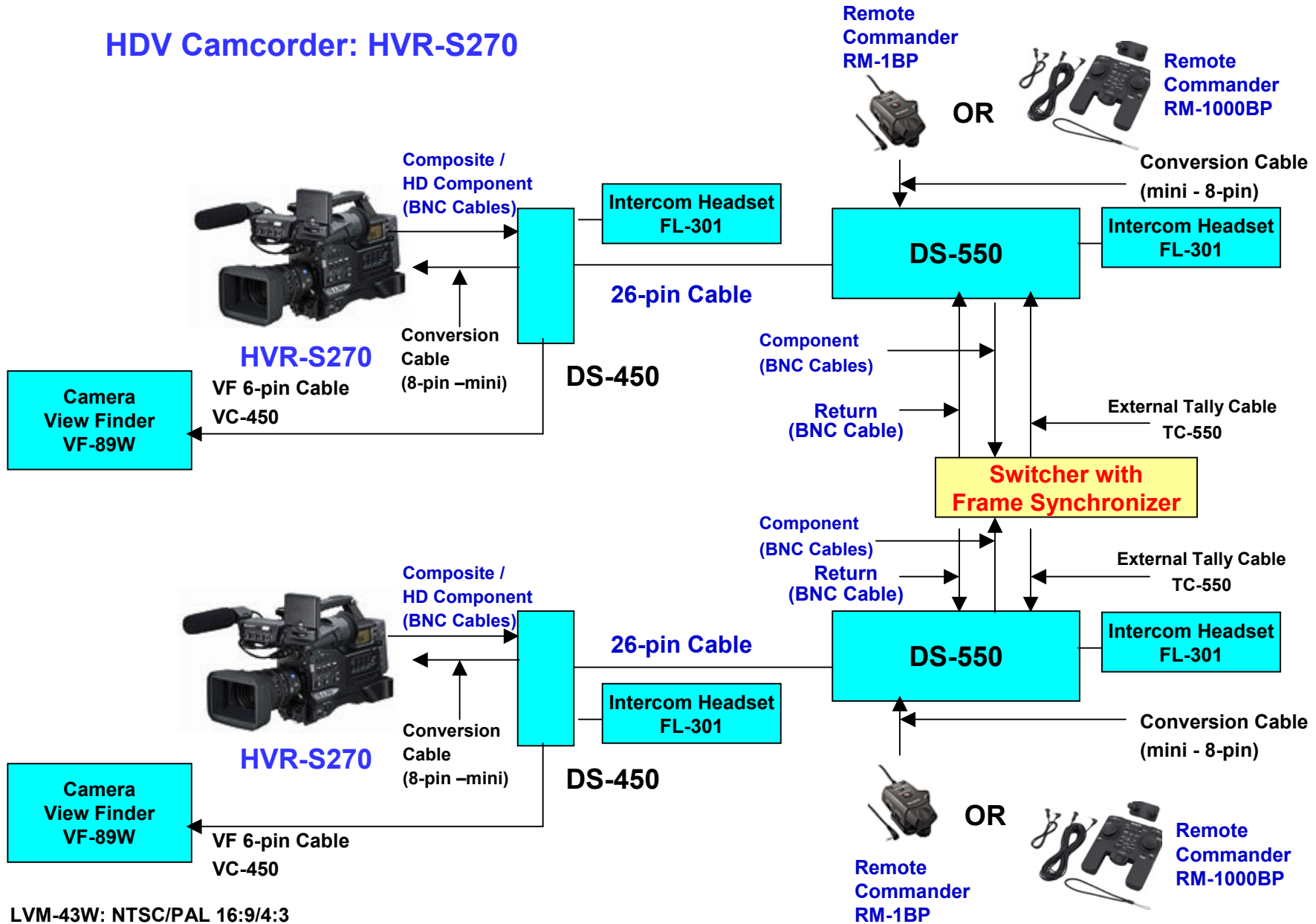


Optical Fiber Cable between Optical Fiber Camera Adaptor and Optical Fiber Base station

ALC-20M, ALC-50M, ALC-100M

# 2. Multi-core Studio System (HVR-S270)

HDV Camcorder: HVR-S270



LVM-43W: NTSC/PAL 16:9/4:3



## HVR-S270 x2 System composition

---

### Composition:

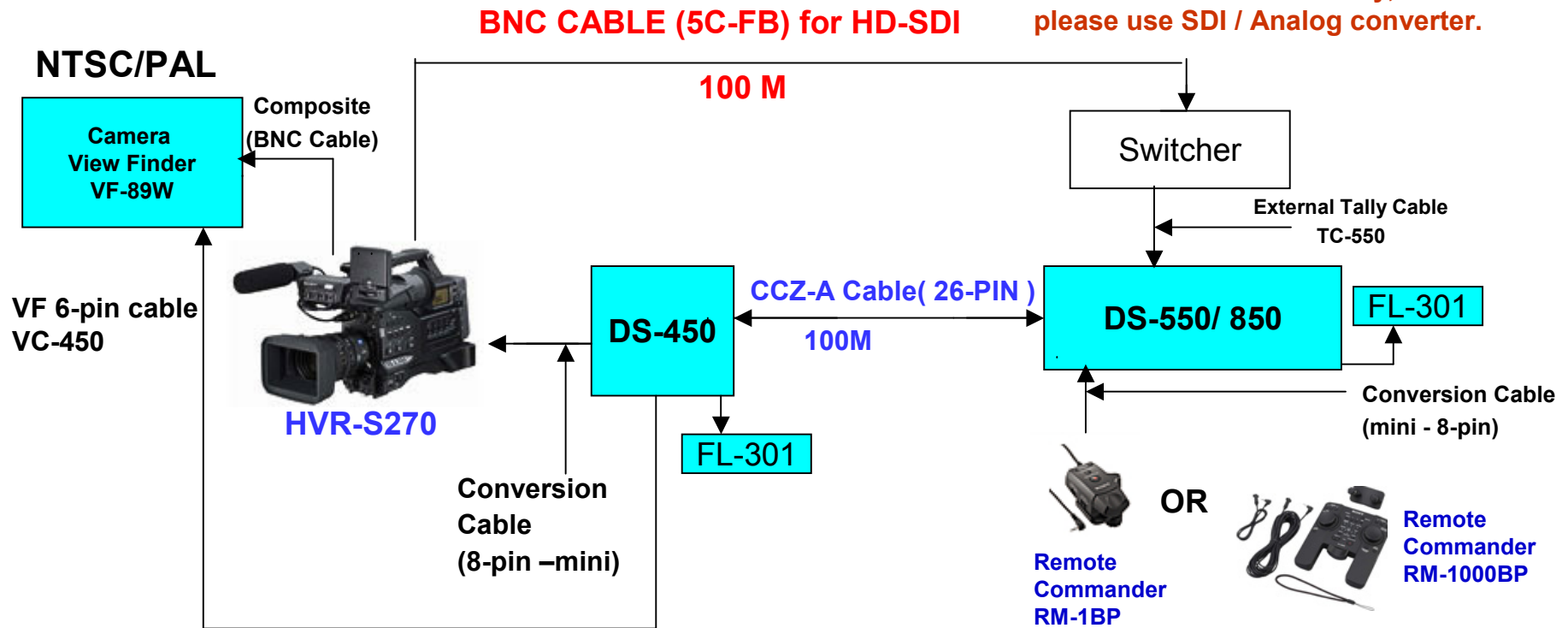
---

<b>Camcorder</b>	<b>HVR-S270</b>	<b>2</b>	<b>SONY</b>
<b>Camera Adaptor</b>	<b>DS-450</b>	<b>2</b>	
<b>Conversion Cable (2 cables)</b>		<b>2</b>	
<b>BNC Cable</b>		<b>6</b>	
<b>Camera View Finder</b>	<b>VF-89W</b>	<b>2</b>	
<b>VF 6-pin Cable</b>	<b>VC-450</b>	<b>2</b>	
<b>Base Station</b>	<b>DS-550</b>	<b>2</b>	
<b>Remote Commander</b>	<b>RM-1BP or RM-1000BP</b>	<b>2</b>	<b>SONY</b>
<b>26-pin Cable</b>	<b>CCZ-A</b>	<b>2</b>	<b>SONY</b>
<b>External Tally Cable</b>	<b>TC-550</b>	<b>2</b>	
<b>Rack Mount Kit</b>	<b>HS-RA90</b>	<b>1</b>	
<b>Intercom Headset</b>	<b>FL-301</b>	<b>4</b>	
<b>Tripod Base Plate</b>	<b>VST-14</b>	<b>2</b>	
	<b>or Sony VCT-14</b>		

## DS system compatible with PS system

### -Supports HD SDI (HVR-S270)

When HD-SDI switcher is used, return video (analogue composite) is not available.  
If return video is necessary, please use SDI / Analog converter.





## HVR-S270 HD-SDI Support System composition

---

### Composition:

---

<b>Camcorder</b>	<b>HVR-S270</b>	<b>1</b>	<b>SONY</b>
<b>Camera Adaptor</b>	<b>DS-450</b>	<b>1</b>	
<b>Conversion Cable (2 cables)</b>		<b>1</b>	
<b>BNC Cable</b>		<b>1</b>	
<b>BNC Cable</b>	<b>5C-FB</b>	<b>1</b>	<b>100M</b>
<b>Camera View Finder</b>	<b>VF-89W</b>	<b>1</b>	
<b>VF 6-pin Cable</b>	<b>VC-450</b>	<b>1</b>	
<b>Base / Center Station</b>	<b>DS-550 or DS-850</b>	<b>1</b>	
<b>Remote Commander</b>	<b>RM-1BP or RM-1000BP</b>	<b>1</b>	<b>SONY</b>
<b>External Tally Cable</b>	<b>TC-550</b>	<b>1</b>	
<b>Rack Mount Kit</b>	<b>HS-RA90</b>	<b>1</b>	
<b>Intercom Headset</b>	<b>FL-301</b>	<b>2</b>	
<b>Tripod Base Plate</b>	<b>VST-14</b>	<b>1</b>	
	<b>or Sony VCT-14</b>		

# Option



**DC-EX3**  
Power supply cable to  
PMW-EX3/EX1



**DC-Z7J**  
Power supply cable to  
HVR-Z1,Z5, Z7



**DC-EX3**  
Power supply cable to  
PMW-EX3/EX1



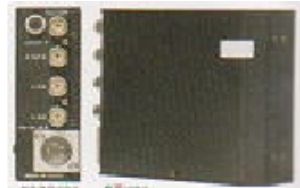
**VF Interface Unit VIF-100**

View Finder interface unit for  
Sony camcorder for business  
and industrial use



**VF 6-pin Cable VC-450**

Connecting cable between PS-  
470HD and mini monitor or  
VIF-100



**VF-43W (NTSC/PAL)**

4.3inch Camera View Finder 16:9 wide type

Universal head is supplied as  
standard accessory.



**VF-89W (NTSC/PAL)**

8.9inch Camera View Finder 16:9 / 4:3 selectable  
RED/GREEN Tally x2  
Color, B/W selection  
Blue only switch  
Frame Guide Indication



**Rack Mount Kit  
HS-RA90**  
for PS-570HD series



**Wired Intercom  
FD-300A**

Wired intercom BNC  
connection, maximum  
10 sets connectable,  
Maximum distance 2km



**Intercom  
Headset  
FL-301**

Incom headset Using  
with DS-450/DS-850