

PROTECH®

Shoulder Adaptor

ST-7

Assured Stable Shooting Dynamic Mobility for Camcorder



Picture: Sony PMW-EX3 + ST-7

Like a shoulder type camcorder



Direct attach of battery pack

ST-7 allows to attach a Sony lithium-ion battery to the rear of the body directly. It becomes possible to supply DC power to a camcorder. DC out connector is equipped on the side panel for power supply to an additional light or a monitor.



Video signal relay terminal

ST-7 provides BNC connectors at the side of the body to realize the connection like a conventional shoulder type camcorder.



Direct attach to Sony tripod adaptor base VCT-14/U14.

With ST-7 a high-quality handy held camcorder can be attached to the tripod base by one-touch operation like a shoulder type camcorder.



Option



DC-EX3

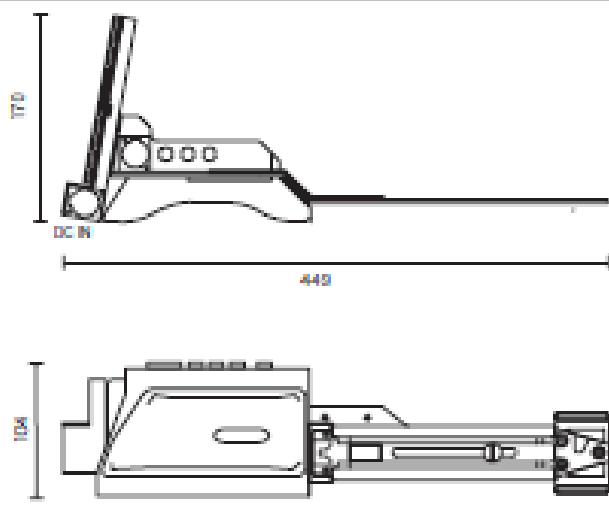
DC cable for Sony PMW-EX3/EX1



VST-14

Tripod Base Plate
To attach a Camcorder with ST-7 to a tripod

Outside dimension



Main specifications

XLR4 DC IN (12V) x1, XLR4 DC OUT (12V) x1, MINI4P DC OUT (12V/8.4V), lithium-ion battery input x1, Tripod screw 1/4 inch with camera screw turn prevention x1 and spare tripod screw x1,

BNC extension terminal x3, Circuit built-in which continues to send a power to the camera even if it short-circuits with Canon 4 P output. Light can be used. ,Just fit shoulder pad, Operation T: 0°C~40°C,

Storage T: -20°C~60°C, Size 104x170x449mm (WHD), Weight: approx. 1.0Kg

Manufactured by: Nippon Video System Co., Ltd
3-88 Furukawa-cho, Tsushima-city, Aichi,
496-0043, Japan
Phone: +81-567-24-4180 Fax: +81-567-25-0047
<http://www.protechweb.jp/>

Distributor: