



**Full specification Optical Fiber Studio System
Allows low-cost and long-distance transmission**

- *Specially introduced for Sony PMW-EX3
to meet HD-SDI / SD-SDI output studio operation.**
- *The PS-270VP System includes the PS-270SHDG
Optical Fiber Camera Adapter and PS-570SHDG
Optical Fiber Base Station.**

PS-270VP Optical Fiber Studio System

PS-270SHDG Optical Fiber Camera Adaptor for Sony PMW-EX3

- Attaches directly to Sony PMW-EX3 for HD-SDI/SD-SDI output
- Can monitor return video and tally signals with VF-89W LCD camera view finder (included in PS-270VP Package)

PS-570SHDG Optical Fiber Base Station

- Supplies tally & return video, intercom, genlock, remote and power via optical fiber cable to PS-270SHDG.

PS-270HD series



PS-570HD series



Highlights

The PROTECH PS-270SHDG Optical Fiber Camera Adapter supplies the following interfaces to the camcorder

- HD/SD-SDI input from camera
- RET video output to camera
- Genlock output to camera
- 8-pin REMOTE for camera remote control
- LANC jack
- 4-pin XLR intercom headset jacks (x2)
- 12V DC output (x3)
- Front & rear TALLY indicators
- SMPTE Fiber cable connector
- VF-89W LCD camera view finder



The PROTECH PS-570SHDG Optical Fiber Base Station supplies the following interfaces for easy integration to a production studio infrastructure:

- HD/SD-SDI output (x2) / auto detecting
- Intercom headset jack
- Intercom system jacks for support of both 2-wire and 4-wire intercom systems
- 8-pin REMOTE connector for interfacing to Sony RM-B150 or RM-B750 camera remote controllers
- LANC jack
- RET video input to interface to video switcher program output
- GENLOCK input (can be used to supply teleprompter composite video signal to camera instead)
- DC in via 4-pin XLR for remote location operation
- AC power line cord jack
- Tally IN & OUT connectors
- SMPTE fiber optic cable connector

PS-270VP Optical Fiber Studio System

Single Optical Fiber Cable operation

- Via Single Optical Fiber Cable the PS-270SHDG Optical Fiber Camera Adapter can transmit HD-SDI, or SD-SDI signal, intercom and return tally.

Long distance transmission with low signal loss

- The distance between the camera adapter and the base station is up to 2000m with little or no signal deterioration.

Low cost – High quality Optical Fiber Cable (option)

- PROTECH can offer low cost – high quality optical fiber cable in lengths to suit your application.



Remote control

- The PS-270VP System supports Sony remote controller.



Sony RM-B150



Sony RM-B750

PROTECH Intercom

- The PS-270VP incorporates the technology of PROTECH intercom with two outputs and 2x headsets (DL-400) included.



Power via Optical Fiber Cable

- Power is supplied via the optical fiber cable from the base station to the PS-270SHDG, camera, LCD camera view finder and camera light up to a maximum 2000m, alternatively camera can be power by battery and camera adapter can be powered by AC Adapter.

VF-43W (NTSC/PAL) (supplied)

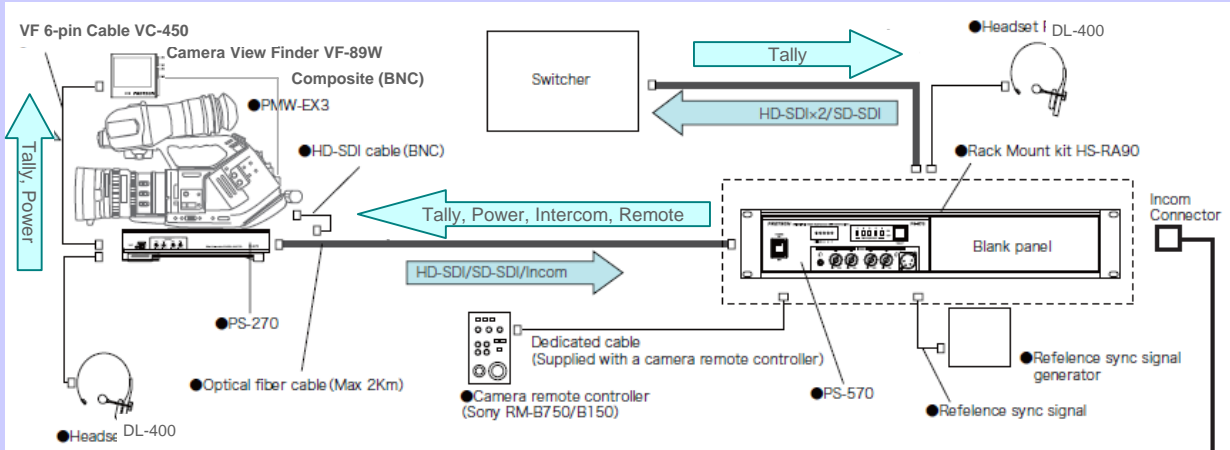


- 8.9 inch Camera View Finder 16:9 wide type
4 inputs and 1 through-out
Red and Green Tally
Peaking function, HD-Y input
Blue only switch, Marker Indication (16:9 or 4:3)

PS-270VP Composition

Optical Fiber Camera Adaptor	PS-270SHDG	x1
Optical Fiber Base Station	PS-570SHDG	x1
DC Cable	DC-EX3	x1
Camera View Finder	VF-89W	x1
Intercom Headset	DL-400	x2
VF 6-pin Cable	VC-450	x1
Remote Cable	RCC-450	x1
External Tally Cable	TC-550	x1
Control Cable (LANC)		x1
BNC Cable 0.4m		x3
BNC Cable 1m		x1

PS-270VP Optical Fiber Studio System



PS-270SHDG Main Specifications

Input	Video	HD-SDI/SD-SDI (BNC x1)
Output	Video	RET V OUT: Composit BNC x1, 1Vp-p 75ohm
	DC output	CamTap x1, Mini 4pin out x1
	Others	TALLY OUT (BNC x1) INCOM (BNCx1 for FD-300A) HEAD SET (XLR-4pin x2 for FL-401) Optical connector x1
Remote		8-pin connector, LANC (stereo mini jack ϕ 2.4mm)
General	Power	DC13.5V, Comsumption approx. 7W
	Dimension	179 x 59 x 266mm (WxHxD)
	Temperature Operation	From 0 degree C to 40 degree C
	Storage	From -20 degree C to 60 degree C
Weight		Approx. 1.4kg

PS-570SHDG Main Specifications

Input	Video	RET IN composite BNC x1, 1Vp-p 75ohm
	Others	TALLY IN mini-Dsub 15P x1
Output	Video	HD-SDI/SDI (BNC x2)
	Others	TALLY OUT mini-Dsub 15P x1 INCOM (BNCx2 for FD-300A) HEAD SET (XLR-4pin for FL-401) Optical connector x1
Remote		8-pin connector, LANC (stereo mini jack ϕ 2.4mm)
General	Power	AC85V - 240V, Comsumption approx. max. 120W at max. load on camera
	Dimension	215 x 71 x 300mm (WxHxD)
	Temperature Operation	From 0 degree C to 40 degree C
	Storage	From -20 degree C to 60 degree C
Weight		Approx. 3.9kg

Manufactured by:

Nippon Video System Co., Ltd
in Japan

Distributor: