

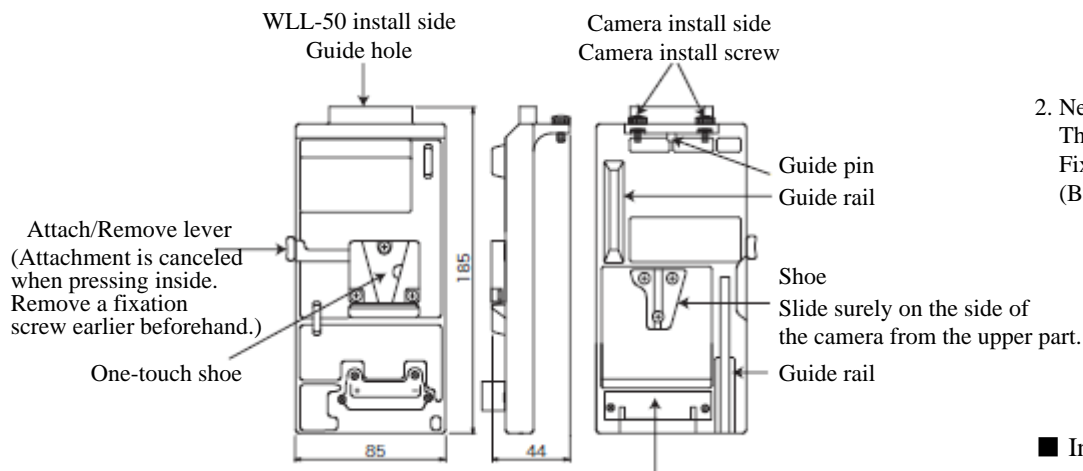
Thank you to use IF-700.

Please read this manual thoroughly before operating the unit.

■ Features

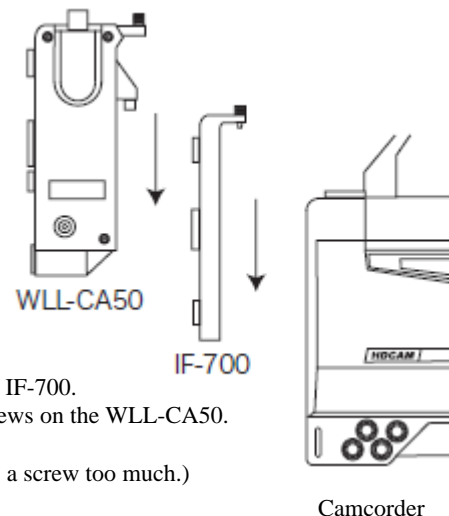
Adaptor for docking of Sony WLL-CA50 and Sony HDCAM Camcorder.

■ Name of each part



■ Operation

1. Fix IF-700 to Camcorder.
Tighten the fixing screw of IF-700.
(Be careful to tighten up a screw too much.)
IF-700 can not be fixed to Sony DSR-300/370/370A/390/500WS-570WS, etc.
If it is fixed to these cameras, there is a possibility that WLL-CA50 falls.



2. Next, fix WLL-CA50 to IF-700.
There are two fixing screws on the WLL-CA50.
Fix them to IF-700.
(Be careful to tighten up a screw too much.)

■ Installation drawing

Confirm if the camcorder and WLL-CA50 are fixed surely by watching and touching.
After installation, not to use them so hard because the maximum load on IF-700 is 5kg.
Shoulder belt can not be used after installation.
Use the tripod which is born by the load.
Camcorder with IF-700 can not be used in rain.

